

Inductor for power line radial

『TZNL120145CA SERIES』



■ Features

- Low DC resistance and High power capacities
- Bulk and taping packaging
- Applies to Variety of electronic equipments.

■ 特長

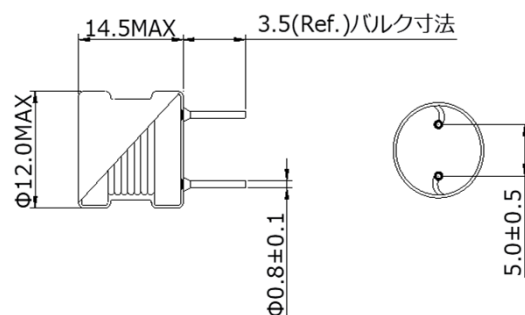
- 低抵抗、高出力。
- バルク及び、テーピング梱包です。
- 種々の電子装置に応用出来ます。

■ Dimensios

Appearance/外觀



Dimensions/形状寸法



■ Electric Specifications/電気特性

● TYPE TZNL120145CA (φ 12.0mm × 14.5mm High)

DSC Part Number	Inductance (μH)		DC Resistance (Ω) MAX	Rated current (A) MAX
		公差		
TZNL120145CA- 100	10	±10%	0.024	4.00
TZNL120145CA- 120	12		0.030	3.80
TZNL120145CA- 150	15		0.032	3.50
TZNL120145CA- 180	18		0.038	3.20
TZNL120145CA- 220	22		0.043	3.00
TZNL120145CA- 270	27		0.050	2.80
TZNL120145CA- 330	33		0.063	2.50
TZNL120145CA- 390	39		0.075	2.00
TZNL120145CA- 470	47		0.088	1.90
TZNL120145CA- 560	56		0.11	1.80
TZNL120145CA- 680	68		0.13	1.70
TZNL120145CA- 820	82		0.14	1.60
TZNL120145CA- 101	100		0.19	1.50
TZNL120145CA- 121	120		0.21	1.20
TZNL120145CA- 151	150		0.30	1.00
TZNL120145CA- 181	180		0.33	0.70
TZNL120145CA- 221	220		0.48	0.60
TZNL120145CA- 271	270		0.54	0.50
TZNL120145CA- 331	330		0.62	0.45
TZNL120145CA- 391	390		0.75	0.40
TZNL120145CA- 471	470		0.84	0.35
TZNL120145CA- 561	560	1.16	0.30	

DSC Part Number	Inductance (μH)		DC Resistance (Ω) MAX	Rated current (A) MAX
		公差		
TZNL120145CA- 681	680	±10%	1.25	0.25
TZNL120145CA- 821	820		1.40	0.20
TZNL120145CA- 102	1,000		1.75	0.20
TZNL120145CA- 122	1,200		2.00	0.18
TZNL120145CA- 152	1,500		2.75	0.17
TZNL120145CA- 182	1,800		3.10	0.16
TZNL120145CA- 222	2,200		3.50	0.15
TZNL120145CA- 272	2,700		5.50	0.14
TZNL120145CA- 332	3,300		6.20	0.13
TZNL120145CA- 392	3,900		6.85	0.12
TZNL120145CA- 472	4,700		8.40	0.12
TZNL120145CA- 562	5,600		9.40	0.11
TZNL120145CA- 682	6,800		10.5	0.10
TZNL120145CA- 822	8,200		13.0	0.10
TZNL120145CA- 103	10,000		14.9	0.09
TZNL120145CA- 123	12,000		18.8	0.09
TZNL120145CA- 153	15,000		25.6	0.08
TZNL120145CA- 183	18,000		31.6	0.08
TZNL120145CA- 223	22,000		36.0	0.07
TZNL120145CA- 273	27,000		41.4	0.05
TZNL120145CA- 333	33,000		52.6	0.04

■ Conditions/測定条件

(1)The rated DC current is that which cause a 10% inductance reduction from the initial value or inductor surface temperature to rise by 20°C, whichever is smaller.

定格電流は、インダクタンスが初期値から10%低下又は、表面温度が20°C上昇のいずれか小さい方の値です。

(2)The measuring frequency and surroundngs temperature are 100 kHz and 25°C, respectively.

測定周波数: 100kHz. 測定周囲温度: 25°C.